

PLEASE CHECK WWW.MOLEX.COM FOR LATEST PART INFORMATION

Part Number: [0192030050](#)
Status: **Active**
Description: Krimptite™ Temp-Term Ring Tongue Terminal for 14 to 16 AWG Wire, Stud Size 8, Mylar Tape Carrier

Documents:

[Drawing \(PDF\)](#) [RoHS Certificate of Compliance \(PDF\)](#)

Agency Certification

UL E32244

General

Product Family Ring and Spade Terminals
 Series [19203](#)
 Crimp Quality Equipment Yes
 Mil-Spec N/A
 Product Name Krimptite™, Temp-Terms
 Type Ring

Physical

Barrel Type Closed
 Insulation None
 Material - Plating Mating Tin
 Packaging Type Adhesive Tape on Reel
 Stud Size 8 (M4)
 Wire Size AWG 14, 16
 Wire Size mm² 1.00 - 2.50

Material Info

Old Part Number B-S-137-08T

Reference - Drawing Numbers

Sales Drawing SD-19203-023



*Series
image - Reference only*

EU RoHS

**ELV and RoHS
Compliant**

**REACH SVHC
Contains SVHC: No
Halogen-Free
Status**

Not Reviewed

China RoHS



**Need more information on product
environmental compliance?**

Email productcompliance@molex.com
 For a multiple part number RoHS Certificate of Compliance, [click here](#)

Please visit the [Contact Us](#) section for any non-product compliance questions.

Search Parts in this Series

[19203Series](#)

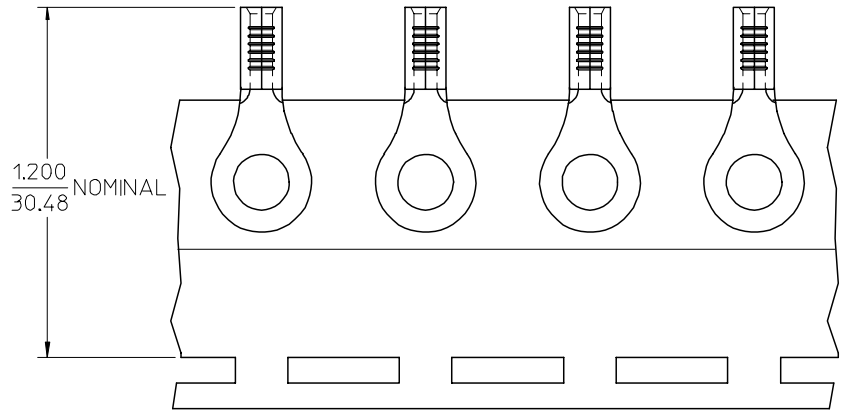
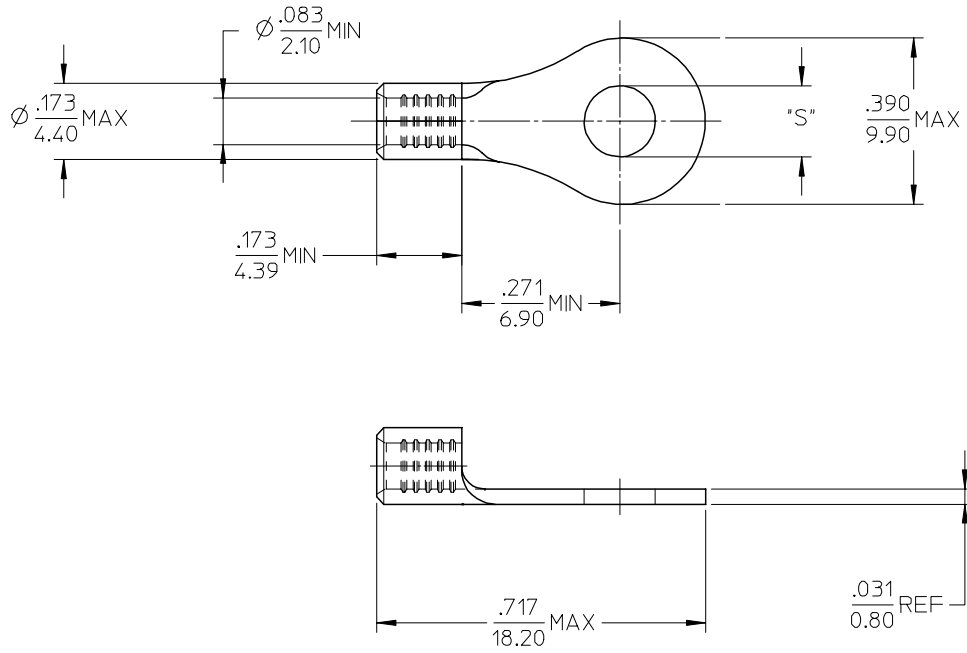
Application Tooling | [FAQ](#)

Tooling specifications and manuals are found by selecting the products below. Crimp Height Specifications are then contained in the Application Tooling Specification document.

Global

| Description | Product # |
|--|----------------------------|
| ATP Perishable Tool Kit used in ATP presses that process product on tape | 0190270055 |
| Mini-Mac™ Applicator | 0638858100 |

| MATERIAL NO. | ENG. NO. | STUD SIZE | "S" MAX | DESCRIPTION |
|--------------|-------------|-----------|-----------|-------------|
| 192030470 | B-S-137-08 | 8 | .185/4.70 | LOOSE |
| 192030050 | B-S-137-08T | 8 | .185/4.70 | TAPE |



PARTS ON TAPE

NOTE(S):

1. MATERIAL: STEEL
2. FINISH: NICKEL PLATED
3. WIRE SIZE: 16-14 AWG (1.5-2.5 MM²)
4. PART IS ROHS COMPLIANT.
5. AMBIENT OPERATING TEMPERATURE UP TO 900 °F (483 °C).

| | | | | | | | | | |
|---|-------------------------------|---------------------------------------|--|-----------------------|---|-----------------|---|------------------------|--|
| ADDED OPERATING TEMP EC NO: ETC2007-0297 DRW: DRWNEHLE 2007/03/13 CHKD: JMAGNEIL 2007/03/13 APPR: JMAGNEIL 2007/03/14 | QUALITY SYMBOLS ▽=0 ▽=0 | GENERAL TOLERANCES (UNLESS SPECIFIED) | | DIMENSION STYLE IN/MM | | SCALE 4:1 | DESIGN UNITS INCH | THIRD ANGLE PROJECTION | |
| | | | mm | INCH | DRAWN BY DMYRICK | DATE 2005/04/05 | TITLE RING TONGUE TERMINAL, 16-14 AWG, KRIMPTITE, 900 DEG F (483 DEG C) | | |
| | | 4 PLACES | ± --- | ± --- | CHECKED BY RDEROSS | DATE 2005/04/05 | | | |
| | | 3 PLACES | ± --- | ± .005 | APPROVED BY RDEROSS | DATE 2005/04/05 | MOLEX INCORPORATED | | |
| 2 PLACES | ± 0.13 | ± .01 | MATERIAL NO. SEE CHART | | DOCUMENT NO. SD-19203-023 | | SHEET NO. 1 OF 1 | | |
| 1 PLACE | ± 0.25 | ± --- | DRAFT WHERE APPLICABLE MUST REMAIN WITHIN DIMENSIONS | | THIS DRAWING CONTAINS INFORMATION THAT IS PROPRIETARY TO MOLEX INCORPORATED AND SHOULD NOT BE USED WITHOUT WRITTEN PERMISSION | | | | |
| ANGULAR ±1/2° | | | | | | | | | |